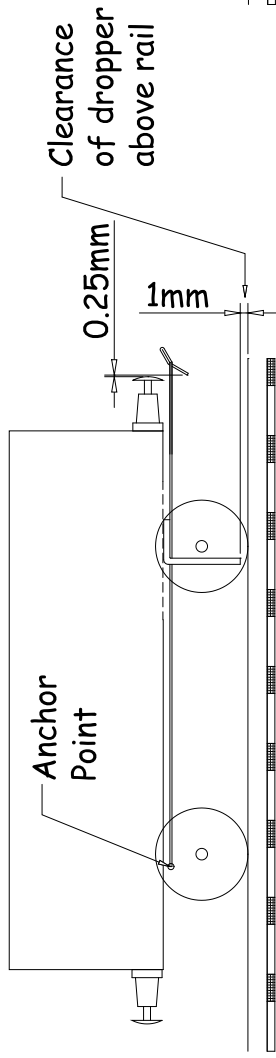


ALEX JACKSON COUPLING Wagon Mounting

Detail

Coupling at rest

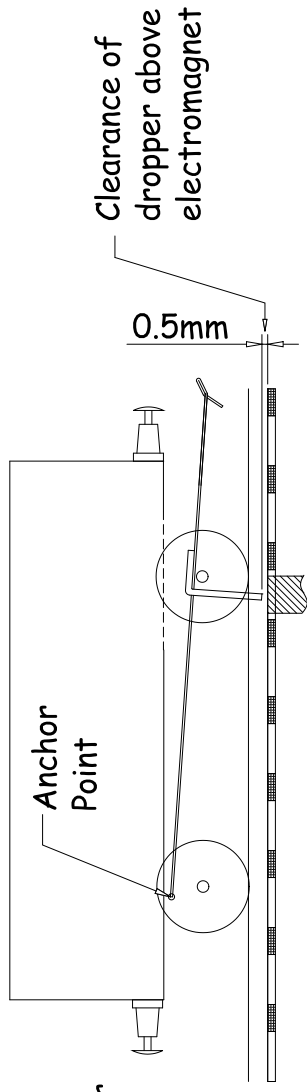


Clearance of dropper above rail

0.25mm

1mm

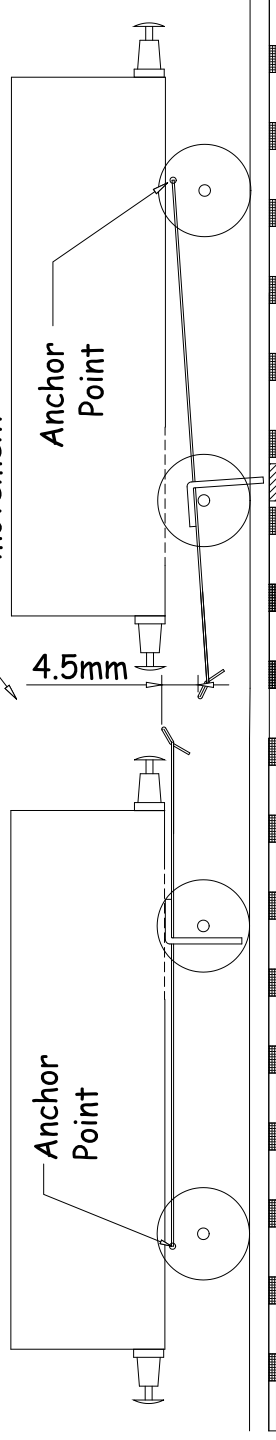
Coupling under influence of electromagnet



Clearance of dropper above electromagnet

0.5mm

Vertical movement



4.5mm

Electromagnet Face flush with top of sleepers

Free length

65mm

10mm

5mm

3mm

1mm

Hook/Dropper dimensions for wagon mounting 12mm dia wheels

Important dimensions are:

- (a) Free length 65mm
- (b) Height of coupling from top of rail 10mm
- (c) Clearance of dropper above rail, at rest 1.0mm
- (d) Clearance of dropper above magnet face, when operated 0.5mm
- (e) Vertical movement at hook 4.5mm